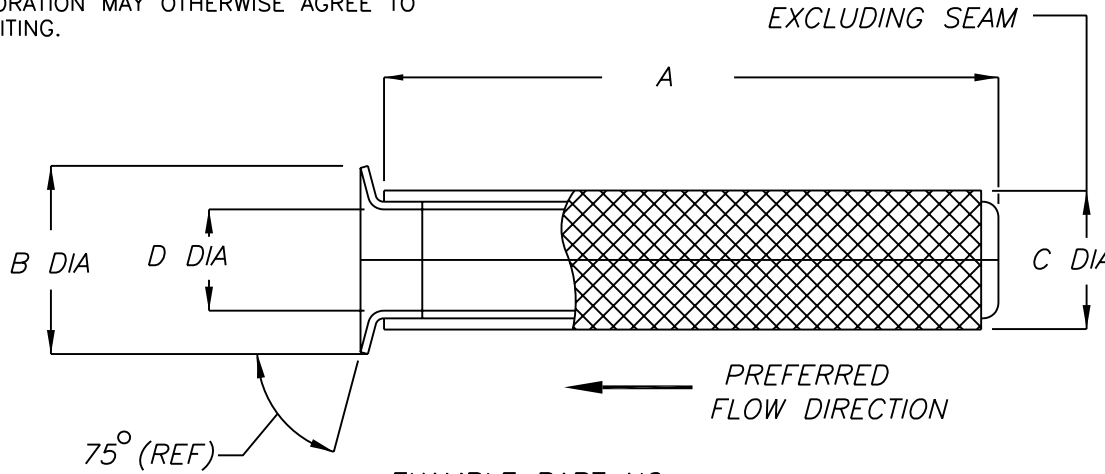


CLICK TO CONTACT US

THIS DOCUMENT CONTAINS INFORMATION PROPRIETARY TO GENESIS FILTRATION CORPORATION. ANY REPRODUCTION, DISCLOSURE, OR USE OF THIS DOCUMENT IN WHOLE OR IN PART IS EXPRESSLY PROHIBITED EXCEPT AS GENESIS FILTRATION CORPORATION MAY OTHERWISE AGREE TO IN WRITING.

REVISIONS			
LTR	DESCRIPTION	DATE	APPROVED



EXAMPLE PART NO:  
17500-8-10  
-8 LINE SIZE | 10 MICRONS NOMINAL

WHEN FILTERING LIQUIDS		WHEN FILTERING GASES	
NOM RATING	ABS RATING	NOM RATING	ABS RATING
2	15	1	9
5	20	3.5	13
10	25	6	18
20	40	11	25
40	75	30	55
70	105	50	85
105	150	85	130

ADDITIONAL SIZES AND CONFIGURATIONS AVAILABLE.

- $\Delta$	A REF	B REF	C REF	D REF	FILTER AREA REF	COLLAPSE PRESURE PSID MIN
- 4	1.05	.250	.16	.14	.48	1000
- 5	2.00	.312	.19	.15	1.10	875
- 6	2.00	.375	.23	.19	1.35	750
- 8	2.00	.500	.33	.29	2.00	500
-10	2.00	.625	.39	.35	2.40	200
-12	2.00	.750	.47	.43	2.75	150

1. FIRST DASH NUMBER SPECIFIES TUBE SIZE.
2. SECOND DASH NUMBER SPECIFIES NOMINAL MICRON RATING.
3. MATERIALS: AISI T 300 SER. CRES.
4. CONSTRUCTION: RESISTANCE WELDED.

UNLESS OTHERWISE SPECIFIED		DO NOT SCALE THIS DWG. INTERPRET DWG PER IAW DOD-STD-1000 DIMS & TOLS. PER ANSI Y14.5		DFT BY:	<i>Genesis Filtration Inc.</i> 9757 7th STREET, UNIT 804 Rancho Cucamonga, CA 91730			
DIMENSIONS IN INCHES REMOVE ALL BURRS		SURFACE ROUGHNESS PER ANSI B46.1 √		DESIGN BY:				
MACHINE RADII .005/.015 R.		MATERIAL		APPVD BY:	TITLE FILTER ASSEMBLY FLARELESS TUBE FITTING			
BREAK ALL SHARP EDGES .002/.010 R.				CUSTOMER NAME	SIZE A	FSCM NO. 04AX3	DWG NO. 17500 $\Delta$ $\Delta$	REV
DECIMALS .XX .XXX	FRAC	ANGLES	CUSTOMER P/N	SCALE	GFORME05 12/24/98	WEIGHT	SHEET OF	
±	±	±	FINISH					