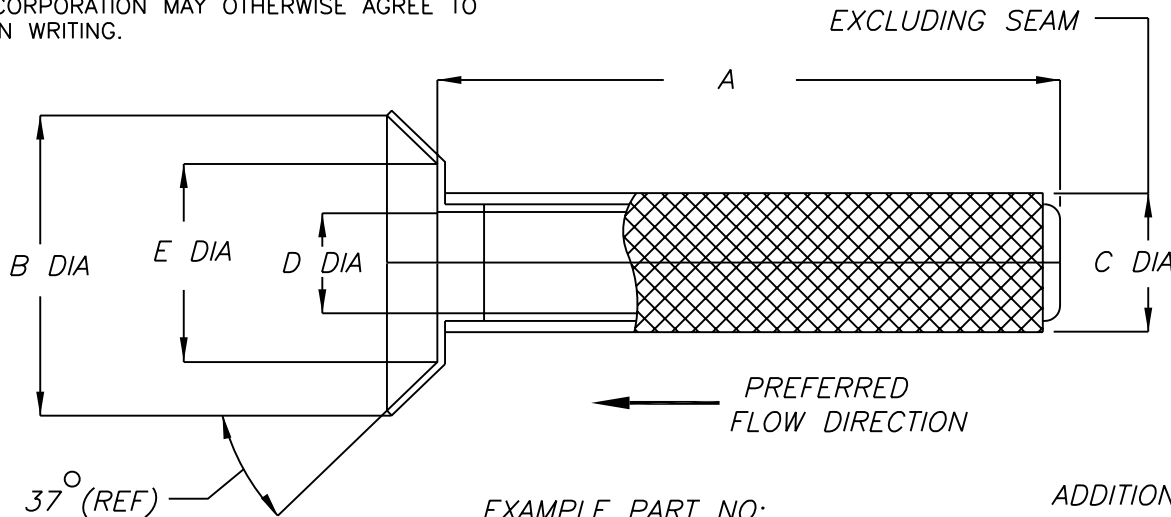


CLICK TO CONTACT US

THIS DOCUMENT CONTAINS INFORMATION PROPRIETARY TO GENESIS FILTRATION CORPORATION. ANY REPRODUCTION, DISCLOSURE, OR USE OF THIS DOCUMENT IN WHOLE OR IN PART IS EXPRESSLY PROHIBITED EXCEPT AS GENESIS FILTRATION CORPORATION MAY OTHERWISE AGREE TO IN WRITING.

REVISIONS			
LTR	DESCRIPTION	DATE	APPROVED



EXAMPLE PART NO:  
17000-8-10  
-8 LINE SIZE      10 MICRONS NOMINAL

WHEN FILTERING LIQUIDS		WHEN FILTERING GASES	
$\triangle$ NOM RATING	ABS RATING	NOM RATING	ABS RATING
2	15	1	9
5	20	3.5	13
10	25	6	18
20	40	11	25
40	75	30	55
70	105	50	85
105	150	85	130

ADDITIONAL SIZES AND CONFIGURATIONS AVAILABLE.

$\triangle$	A REF	B MAX	C REF	D REF	E REF	FILTER AREA REF	COLLAPSE PRESURE PSID MIN
- 4	1.05	.359	.16	.14	.20	.48	1000
- 5	2.00	.421	.19	.15	.26	1.10	875
- 6	2.00	.476	.23	.19	.33	1.35	750
- 8	2.00	.654	.33	.29	.43	2.00	500
-10	2.00	.767	.39	.35	.55	2.40	200
-12	2.00	.940	.47	.43	.68	2.75	150

- CONSTRUCTION: RESISTANCE WELDED.
- MATERIALS: AISI T 300 SER. CRES.
- SECOND DASH NUMBER SPECIFIES NOMINAL MICRON RATING.
- FIRST DASH NUMBER SPECIFIES TUBE SIZE.

UNLESS OTHERWISE SPECIFIED		DO NOT SCALE THIS DWG. INTERPRET DWG PER IAW DOD-STD-1000 DIMS & TOLS. PER ANSI Y14.5		DFT BY:	<i>Genesis Filtration Inc.</i> 9757 7th STREET, UNIT 804 Rancho Cucamonga, CA 91730			
DIMENSIONS IN INCHES REMOVE ALL BURRS		SURFACE ROUGHNESS PER ANSI B46.1		DESIGN BY:				
MACHINE RADII .005/.015 R.		$\sqrt{\hspace{1cm}}$		APPVD BY:	TITLE FILTER ASSEMBLY 37° TUBE FITTING			
BREAK ALL SHARP EDGES .002/.010 R.				CUSTOMER NAME				
DECIMALS .XX .XXX	FRAC	ANGLES	MATERIAL NOTED	CUSTOMER P/N	SIZE A	FSCM NO. 04AX3	DWG NO. 17000 $\triangle$ $\triangle$	REV
±	±	±	±	FINISH	SCALE	GFORME05 12/24/98	WEIGHT	SHEET OF