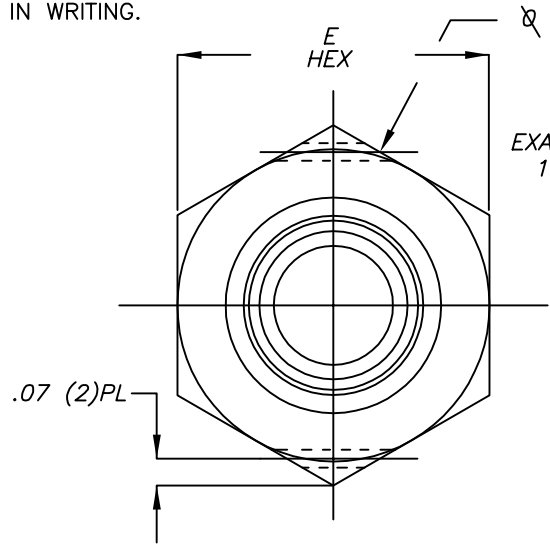
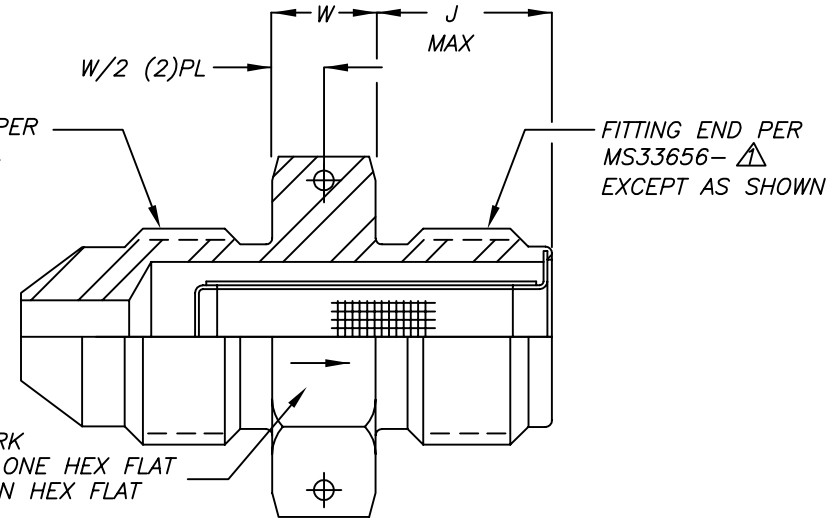


THIS DOCUMENT CONTAINS INFORMATION PROPRIETARY TO GENESIS FILTRATION CORPORATION. ANY REPRODUCTION, DISCLOSURE, OR USE OF THIS DOCUMENT IN WHOLE OR IN PART IS EXPRESSLY PROHIBITED EXCEPT AS GENESIS FILTRATION CORPORATION MAY OTHERWISE AGREE TO IN WRITING.

REVISIONS			
LTR	DESCRIPTION	DATE	APPROVED



Ø .052 LOCKWIRE (2) PL OPTIONAL ADD "L" TO PART NUMBER.
 EXAMPLE PART NUMBER: 15000-6-10
 ADD "D" TO END OF PART NO FOR ALUM FITTING OPT.
 10 MICRONS NOMINAL
 -6 LINE SIZE



PERMANENTLY MARK FLOW ARROW ON ONE HEX FLAT MICRON RATING ON HEX FLAT 180° OPPOSITE

- CONSTRUCTION: FILTER ELEMENT IS RESISTANCE WELDED AND SPIN SWAGED INTO HOUSING
 - MATERIALS: FILTER ELEMENT: AISI T 300 SER. CRES. FITTING: AISI T 300 SER. CRES. AVAILABLE IN ALUM ALLOY, ANODIZED.
 - FILTER MEDIA: STAINLESS STEEL WOVEN WIRE MESH.
- Δ SECOND DASH NUMBER SPECIFIES NOM MICRON RATING.
 Δ FIRST DASH NO SPECIFIES TUBE SIZE

- Δ DASH NO	TUBE SIZE	J MAX	E HEX	EFFECTIVE FILTER AREA SQ IN MIN	ELEMENT COLLAPSE PRESSURE PSID MIN
- 4	1/4	.565	.688	.530	900
- 5	5/16	.565	.750	.650	900
- 6	3/8	.571	.813	.800	500
- 8	1/2	.672	1.000	1.300	250

- Δ DASH NO	NOM MICRON RATING
- 2	2
- 5	5
- 10	10
- 20	20
- 40	40
- 70	70
- 105	105

ADDITIONAL SIZES AND OPTIONS AVAILABLE

UNLESS OTHERWISE SPECIFIED		DO NOT SCALE THIS DWG. INTERPRET DWG PER IAW DOD-STD-1000 DIMS & TOLS. PER ANSI Y14.5		DFT BY:		Genesis Filtration Inc. 9757 7th STREET, UNIT 804 Rancho Cucamonga, CA 91730							
DIMENSIONS IN INCHES REMOVE ALL BURRS		SURFACE ROUGHNESS PER ANSI B46.1 125 √		DESIGN BY:						TITLE 37° FLARE FILTER ASSY			
MACHINE RADII .005/.015 R.		BREAK ALL SHARP EDGES .002/.010 R.		APPVD BY:		SIZE		FSCM NO.					
DECIMALS .XX .XXX				FRAC		ANGLES		A		04AX3		15000-Δ-Δ	
±		±		±		±		MATERIAL NOTED		CUSTOMER P/N		SCALE	
±		±		±		±		FINISH		GFORM05 12/24/98		WEIGHT	
±		±		±		±		FINISH		SHEET		OF	